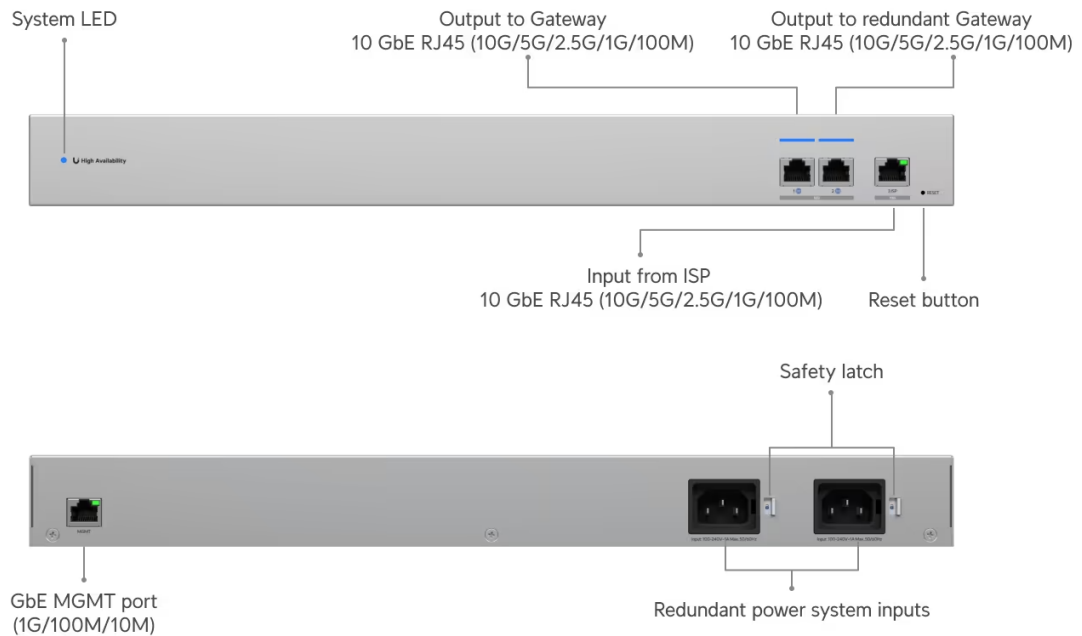




WAN Switch RJ45

USW-WAN-RJ45



Overview

Dimensions	442.4 x 120 x 43.7 mm (17.4 x 4.72 x 1.7")
Port Layout	
• 1 GbE RJ45	1 (1G/100M/10M)
• 10 GbE RJ45	3 (10G/5G/2.5G/1G/100M)
Redundancy	(2) AC inputs
Form Factor	Rack mount (1U)

Performance

Switching Capacity	20 Gbps
Total Non-Blocking Throughput	10 Gbps

Forwarding Rate	15 Mpps
-----------------	---------

Hardware

Max. Power Consumption	18W
Power Method	(2) Universal input, 100–240V AC, 50/60 Hz
Power Input Method	AC input
Power Supply	(2) AC/DC, internal, 36W
Supported Voltage Range	100–240V AC
Management	Ethernet
Weight	Without mounting brackets: 2.3 kg (5.1 lb) With mounting brackets: 2.4 kg (5.3 lb)
Enclosure Material	SGCC steel
Mount Material	SGCC steel
ESD Protection	Air: $\pm 16\text{kV}$, contact: $\pm 10\text{kV}$
Ambient Operating Temperature	-5 to 40° C (23 to 104° F)
Ambient Operating Humidity	10 to 95% noncondensing
LEDs	
• Ethernet	✓
• System	✓
Certifications	CE, FCC, IC
NDAA Compliant	✓

Software

Application Requirements

- UniFi Network Version 9.1.120 and later